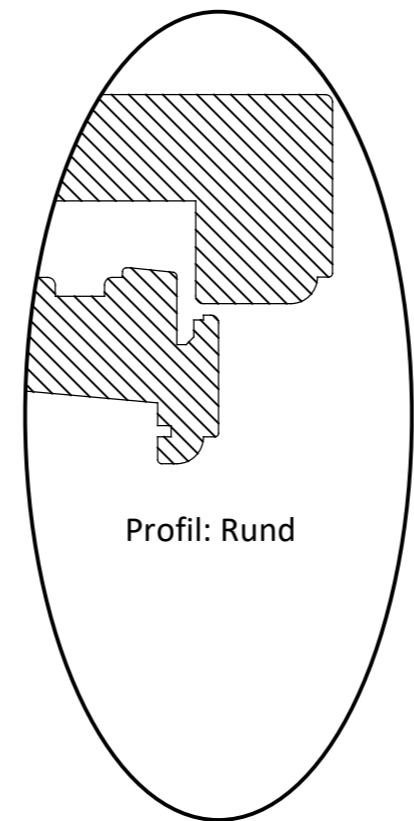
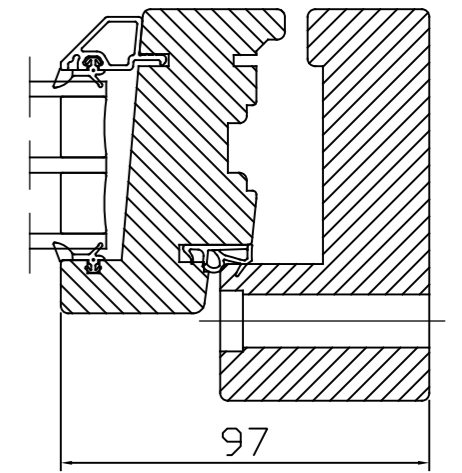
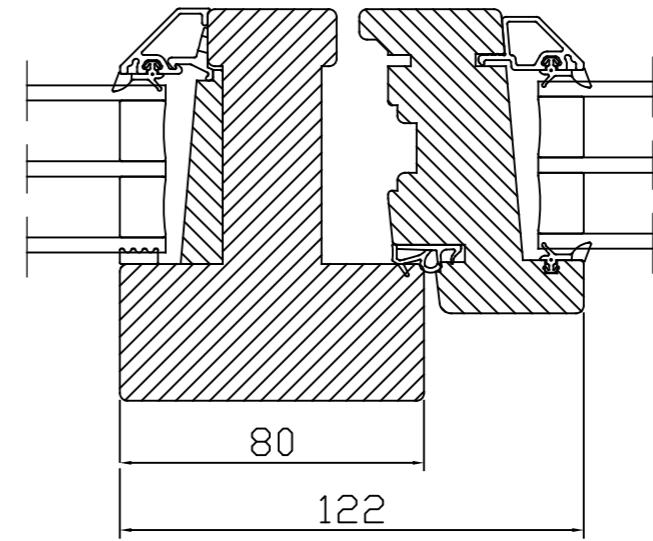
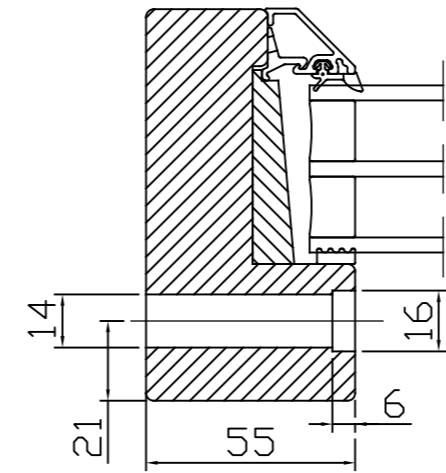
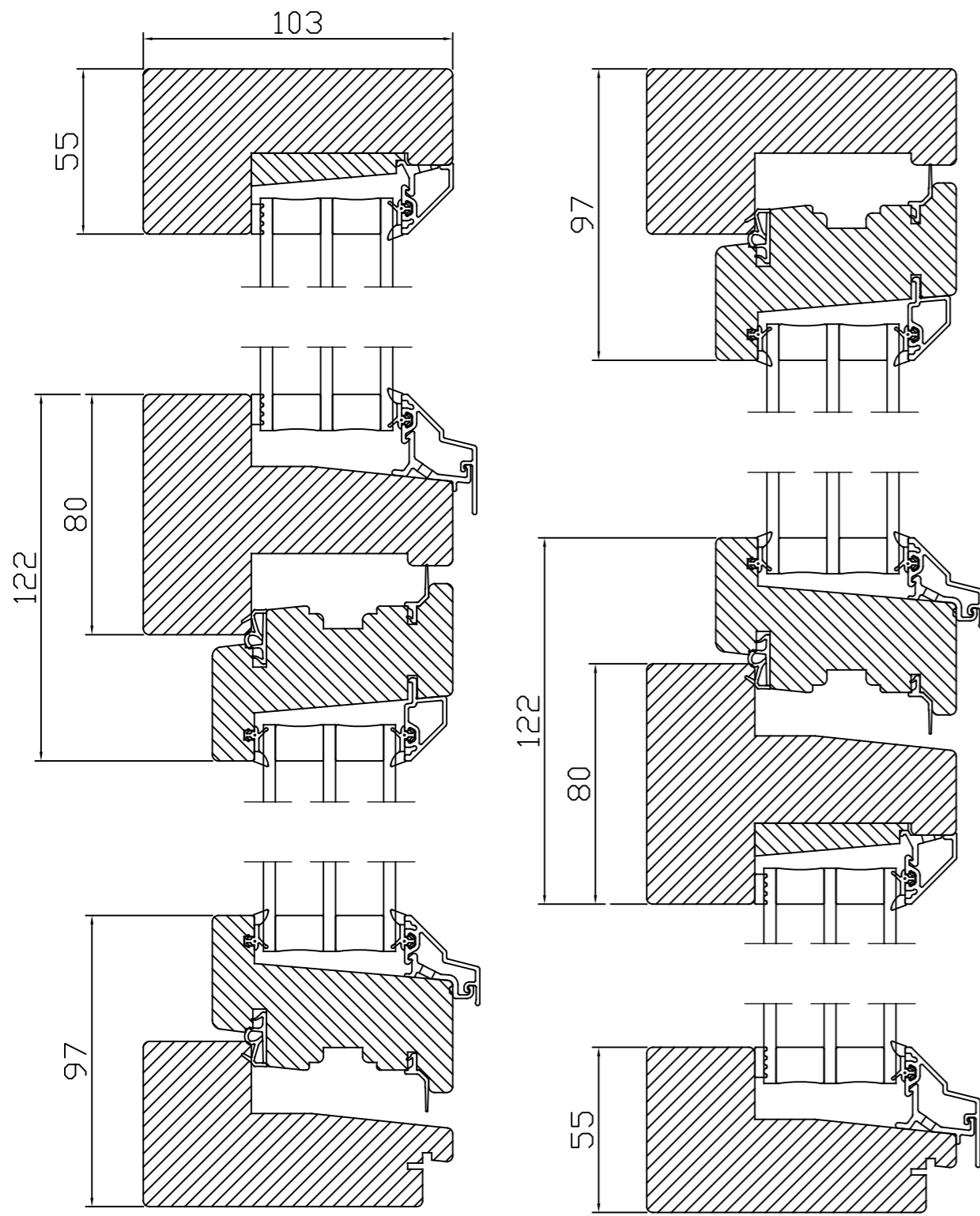


| Nr | Ant | Ändring | Datum | Inf. | Godk. |
|----|-----|---------|-------|------|-------|
|    |     |         |       |      |       |



|                       |                          |              |         |                               |                    |           |
|-----------------------|--------------------------|--------------|---------|-------------------------------|--------------------|-----------|
|                       | Godkänd                  | Ritad<br>KLi | Konstr. | Skala                         | Dat.<br>2023-03-15 | Ram<br>A3 |
|                       | Vrid & Fast Kombi Trä    |              |         |                               | Filnamn            |           |
|                       | Utåtgående & Fast 3-glas |              |         |                               | Ritn.nr            |           |
| Profil: Rak alt. Rund |                          |              |         | Trä_vrid-fast_kombi_Ut_3-glas |                    |           |